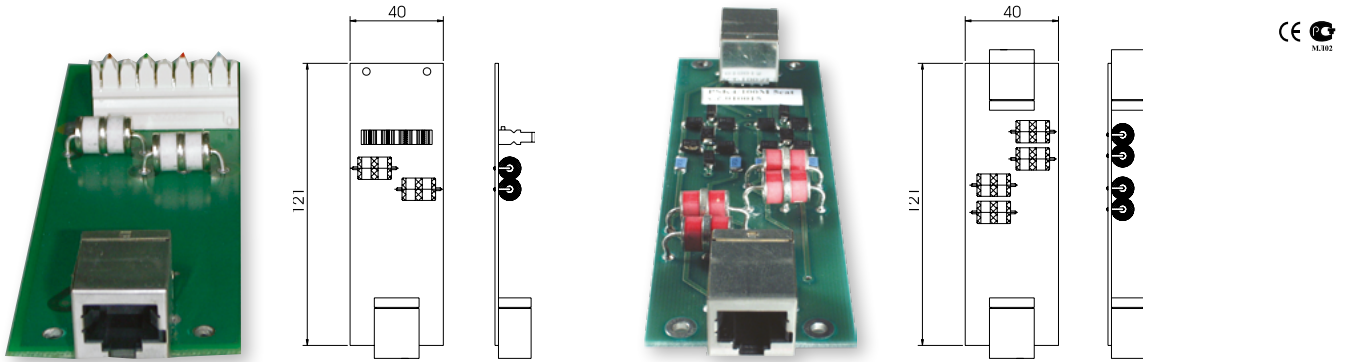


IT Systems



PZH PSK 2/100M 5 cat, PZH PSK 4/100M 5 cat

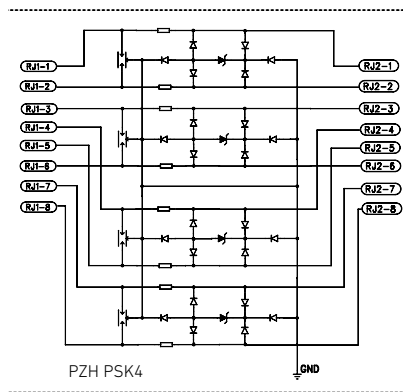
These surge protection devices intended for computer networks are specially designed for securing a faultless data transfer within computer networks category 5. They protect input electronic circuits of network cards against damage caused by surge effects in the Lightning Protection Zones Concept at the boundaries of LPZ 0_{A(B)} -1 and higher according to EN 62305. It is recommended to use these protection devices at the input of protected equipment.

Models:

PZH PSK*/100M 5cat is a printed circuit board intended for mounting into PSK 10 which is appropriate for installation into 19" rackmounts.

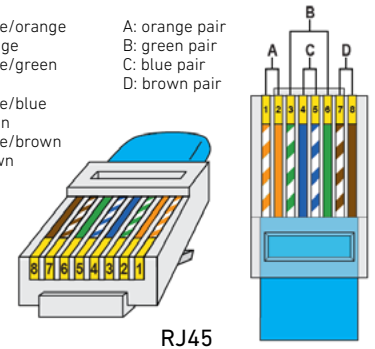
PZH PSK 2/100M 5cat designed for protection of two pairs has LSA-PLUS connector at the input side and RJ45 connector at the output side.

PZH PSK 4/100M 5cat designed for protection of four pairs has RJ45 connector at the input and output sides.



Connection of RJ45 pins acc. to EIA/TIA 568, type B

- 1 - white/orange
 - 2 - orange
 - 3 - white/green
 - 4 - blue
 - 5 - white/blue
 - 6 - green
 - 7 - white/brown
 - 8 - brown
- A: orange pair
 - B: green pair
 - C: blue pair
 - D: brown pair



TYPE		PZH PSK 2/100M 5CAT	PZH PSK 4/100M 5CAT
Number of protected pairs		2	4
Input/Output		LSA-PLUS/RJ45	RJ45/RJ45
Nominal voltage	U_N	6 V	6 V
Max. continuous operating voltage	U_C	7,2 V	7,2 V
Nominal current	I_N	300 mA	300 mA
C2 Max. discharge current (8/20)	I_{max}	10 kA	2 kA
C2 Nominal discharge current (8/20)	I_n	1 kA	1 kA
Voltage protection level at I_n (8/20)	U_p	10 V	10 V
Voltage protection level at 1kV/ms	U_p	< 10 V	< 10 V
Response time	t_A	< 25 ns	< 25 ns
Parasitic capacitance	C	< 42 pF	< 42 pF
Operating temperature range	ϑ	-40°C ÷ + 80°C	-40°C ÷ + 80°C
Category tested acc. to IEC 61643:21-2000		A2, B2, C2, C3, D1	A2, B2, C2, C3, D1
Article number		77 45 011	77 45 012

PZH PSK 10 is a metal panel suitable for fitting in 19" rackmounts. It is possible to mount up to 10 pieces of PZH PSK*/100M 5cat into this panel.

