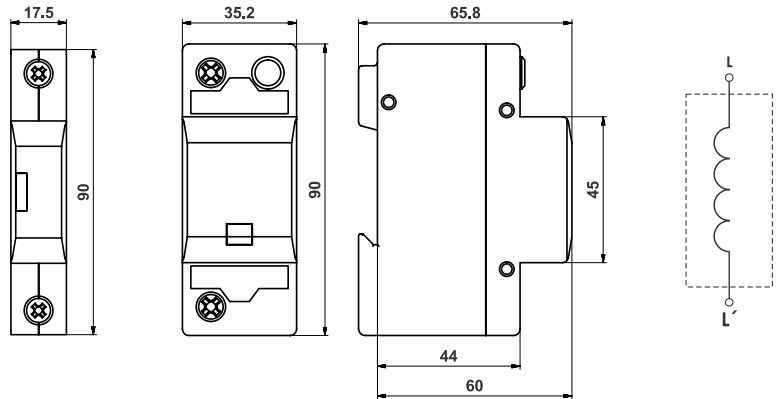


# Decoupling inductors



## PZH L16, PZH L16/15, PZH L32, PZH L32/15

Decoupling inductors are intended for rated load currents within the range of 16 and 32A. These inductors, sometimes also called decoupling impedance, ensure the energy coordination between the arresters type 1 and type 2 or the arresters type 2 and type 3 according to IEC 1024-1 and IEC EN 61643-11, especially in the places where there is no adequate distance between the arresters (e.g. when there are two successive arrester types placed in one switchboard). If the energy coordination of surge protection is not achieved, the lightning current impulse can damage some arrester type of the protection cascade. If there is at least 5m distance between two successive arrester types (in case of two successive arrester types in two different switchboards), this section impedance can be considered as adequate.

TYPE		PZH L16	PZH L16/15	PZH L32	PZH L32/15
Nominal voltage	$U_N$	500 V AC			
Rated load current	$I_L$	16 A		32 A	
Inductance	L	6 $\mu$ H $\pm$ 10%	15 $\mu$ H $\pm$ 10%	6 $\mu$ H $\pm$ 10%	15 $\mu$ H $\pm$ 10%
DC resistance		< 0,01 $\Omega$			
Housing material		Polyamid PA6, UL 94 V-0			
Protection type		IP20			
Operating temperature range	J	-40 °C ... +70 °C			
Cross-section of the connected conductors (at tightening moment of clamps 3 Nm)		6 mm <sup>2</sup>		10 mm <sup>2</sup>	
Max. back-up fuse		16 A		32 A	
Lifetime		min. 100 000 h			
Weight		141 g	157 g	157 g	330 g
Article number		<b>77 30 400</b>	<b>77 30 401</b>	<b>77 30 402</b>	<b>77 30 403</b>