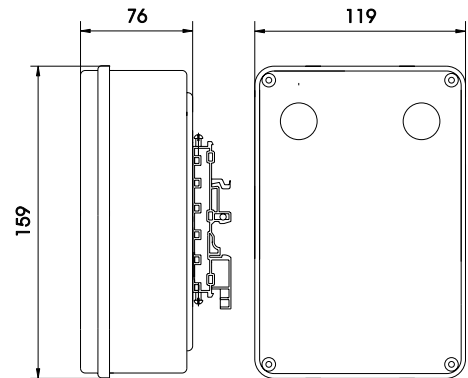


Decoupling inductors



PZH L120

Decoupling inductors are intended for rated load current of 120A. These inductors, sometimes also called decoupling impedance, ensure the energy coordination between the arresters type 1 and type 2 or the arresters type 2 and type 3 according to IEC 1024-1 and IEC EN 61643-11, especially in the places where there is no adequate distance between the arresters (e.g. when there are two successive arrester types placed in one switchboard). If the energy coordination of surge protection is not achieved, the lightning current impulse can damage some arrester type of the protection cascade. If there is at least 5m distance between two successive arrester types (in case of two successive arrester types in two different switchboards), this section impedance can be considered as adequate.

TYPE		PZH L120
Nominal voltage	U_N	500 V AC
Nominal current	I_N	120 A
Inductance	L	6 μ H \pm 10%
DC resistance		< 0,01 Ω
Housing material		Polyamid PA6, UL 94 V-0
Protection type		IP20
Operating temperature range	J	-40 °C ... +70 °C
Cross-section of the connected conductors (at tightening moment of clamps 3 Nm)		35 mm ²
Max. back-up fuse		120 A
Lifetime		min. 100 000 h
Weight		1153 g
Article number		77 30 120