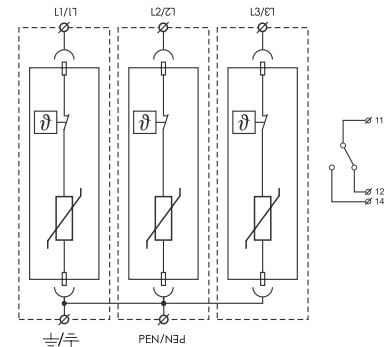
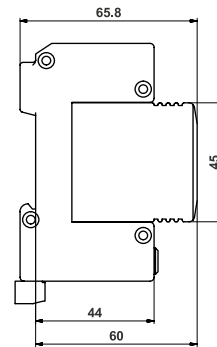
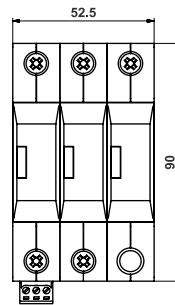


# Surge Arrester TYPE 2+3

TYPE  
2+3

VARISTOR

TYPE 2+3 / CLASS II+III / TN-C / CE



## PZH R2 275/50/3+0 M, PZH R2 275/50/3+0 MS

PZH R2\*M is a surge arrester according to EN 61643-11 ed.2 (IEC 61643-11:2011) consisting of high energy varistors. Its parameters enable its use in complex circumstances. The device is to be installed on the interface of LPZ 1 – LPZ 2 and higher zones according to standard EN 62305 ed.2 (IEC 62305:2010), i.e. into subsidiary switchboards and control boxes. The product has two PEN terminals, which can not be used as a PEN bridge. **S** indication specifies a version with remote monitoring. **M** indication specifies a type of construction with removable module.

TYPE		PZH R2 275/50/3+0 M, PZH R2 275/50/3+0 MS
Test class according to EN 61643-11 ed.2 (IEC 61643-11:2011)		TYPE 2+3, CLASS II+III
System		TN-C
Max. continuous operating voltage	$U_C$	275 V AC / 350 V DC
Maximum discharge current (8/20)	$I_{max}$	50 kA
Nominal discharge current for class II test (8/20)	$I_n$	20 kA
Open circuit voltage	$U_{OC}$	6 kV
Total discharge current (8/20) L1+L2+L3->PEN	$I_{TOTAL}$	150 kA
Voltage protection level at $I_n$	$U_p$	< 1,3 kV
Voltage protection level at $U_{OC}$	$U_p$	< 850 V
Temporary overvoltage (TOV)	$U_T$	337 V/5 s
Response time	$t_A$	< 25 ns
Max. back-up fuse		160 A gL/gG
Short-circuit withstand capability 160 A gL/gG	$I_p$	60 kA <sub>rms</sub>
LPZ		1-3
Housing material		Polyamid PA6, UL94 V-0
Degree of protection of enclosure		IP20
Operating temperature range	$\theta$	-40 °C ... +70 °C
Cross-section of the connected conductors (at tightening moment of clamps 3 Nm)		25 mm <sup>2</sup> (solid) - 16 mm <sup>2</sup> (wire)
The mounting method / operating position		DIN rail 35 mm / any
Failure signalisation		optical function signalization target clear – ok optical function signalization target red - fault
Potential free signal contact (S) (recommended cross-section of remote monitoring max. 1 mm <sup>2</sup> )		AC: 250 V / 0,5 A, DC: 250 V / 0,1 A
Lifetime		min. 100 000 h
Weight		270 g
Article number		<b>77 27 083 (M), 77 27 093 (MS)</b>