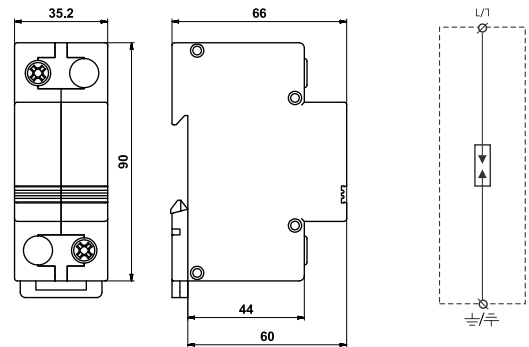


# Lightning Arrester TYPE 1

**SPARK GAP**
**TYPE 1 / CLASS I / CE**


## PZH R1 255/50, PZH R1 440/50

PZH R1\* is a lightning arrester according to standard EN 61643-11 ed.2 (IEC 61643-11:2011) consisting of multiple non-exhausting spark gaps. Its parameters enable usage in buildings with a considerable level of protection LPL I, such as big industrial complexes and properties of particular importance – hospitals, banks, power plants or buildings with explosion danger. The device is to be installed on the interface of LPZ 0 – LPZ 1 zones according to standard EN 62305 ed.2 (IEC 62305:2010), closest to where the overhead line enters the building i.e. the electric power substation, electrometer or the main distribution boards.

TYPE		PZH R1 255/50	PZH R1 440/50
Test class according to EN 61643-11 ed.2 (IEC 61643-11:2011)		TYPE 1, CLASS I	
Max. continuous operating voltage	$U_c$	255 V AC	440 V AC
Impulse discharge current for class I test (10/350)	$I_{imp}$	50 kA	
Charge	Q	25 As	
Specific energy	W/R	600 kJ/Ω	
Nominal discharge current for class II test (8/20)	$I_n$	50 kA	
Voltage protection level at $I_{imp}$	$U_p$	< 2 kV	< 2,5 kV
Temporary overvoltage (TOV)	$U_T$	337 V/5 s	581 V/5 s
Response time	$t_A$	< 100 ns	
Follow current interrupt rating	$I_{fi}$	3 kA <sub>rms</sub>	
Max. back-up fuse		500 A gL/gG	
Short-circuit withstand capability 500 A gl/gG	$I_p$	25 kA <sub>rms</sub>	
LPZ		0-1	
Housing material		Polyamid PA6, UL94 V-0	
Degree of protection of enclosure		IP20	
Operating temperature range	g	-40°C ... +70 °C	
Cross-section of the connected conductors (at tightening moment of clamps 3 Nm)		35 mm <sup>2</sup> (solid) - 25 mm <sup>2</sup> (wire)	
The mounting method / operating position		DIN rail 35 mm / any	
Lifetime		min. 100 000 h	
Weight		235 g	
Article number		<b>77 10 970</b>	<b>77 10 950</b>