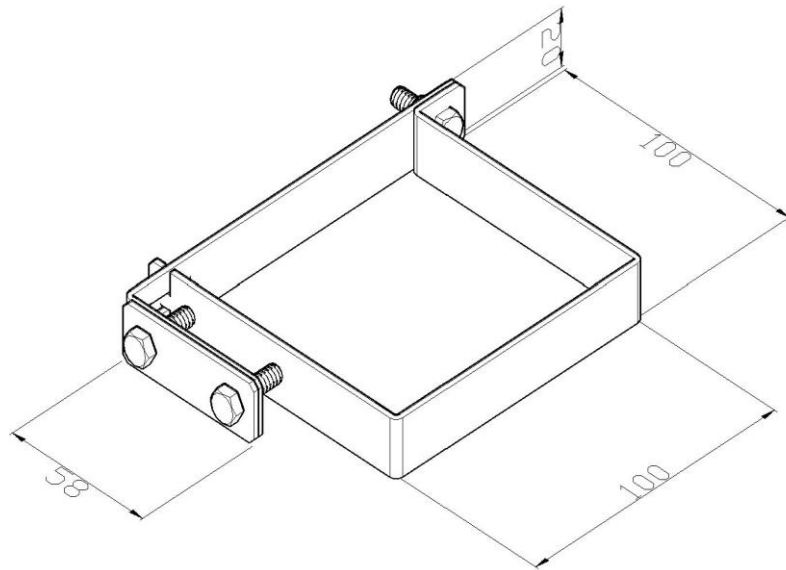


Product: KON10

Product code: 90806

Pipe bonding clamp



Standard:	EN 62561-4:2017 Lightning Protection System Components (LPSC) - Part 4: Requirements for conductor fasteners
Dimensions:	Clamp diameter: 100x100 mm
	Conductor dimensions: P30x4 mm
	Weight: 0,17 kg
Material:	Stainless steel