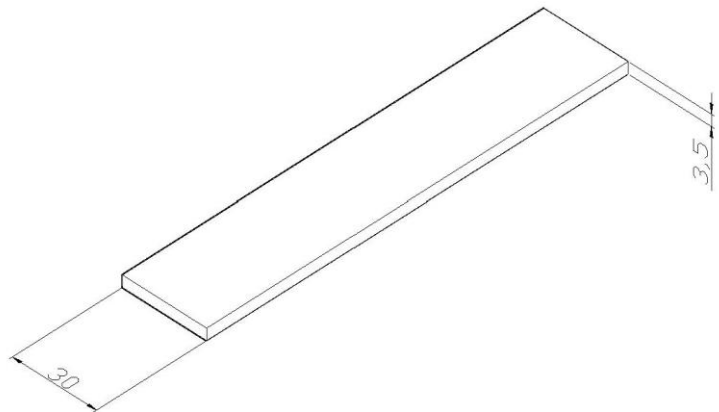


**Product:** RH1 conductor

**Product code:** 90701

Flat conductor



<b>Standard:</b>	EN IEC 62561-2:2018 : Lightning Protection System Components (LPSC) - Part 2: Requirements for conductors and earth electrodes
<b>Dimensions:</b>	Length: 50 m
	Dimension: 30x3,5 mm
	Weight: 0,77 kg/m
<b>Material:</b>	Stainless steel
<b>Tensile strength:</b>	400 N/mm <sup>2</sup> - 770 N/mm <sup>2</sup>
<b>Maximum electrical resistivity:</b>	0,80 μΩm