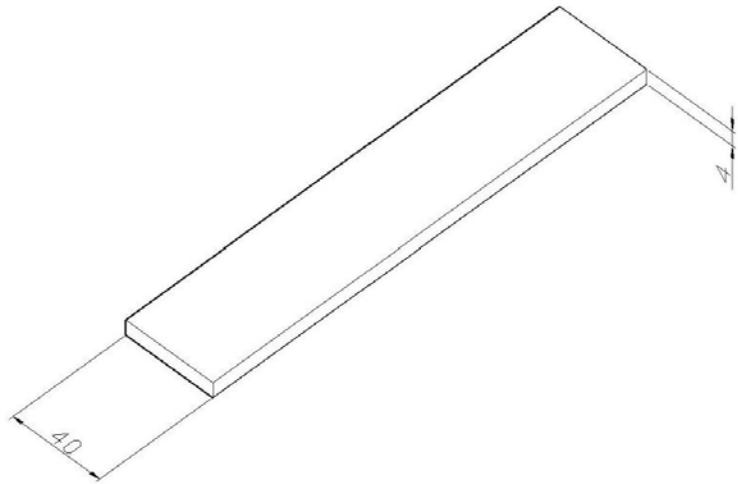


**Product:** FeZn-H conductor 40x4

**Product code:** 90401

Flat conductor



<b>Standard:</b>	EN IEC 62561-2:2018 : Lightning Protection System Components (LPSC) - Part 2: Requirements for conductors and earth electrodes
<b>Dimensions:</b>	Length:
	Dimension: 40x4 mm
	Weight: 1 kg
<b>Material:</b>	Hot-dip galvanized sheet metal
<b>Tensile strength:</b>	290 N/mm <sup>2</sup> - 510 N/mm <sup>2</sup>
<b>Maximum electrical resistivity:</b>	0,15 μΩm