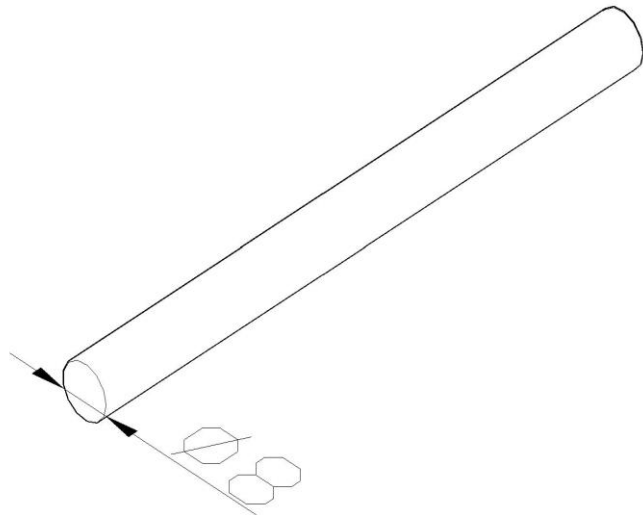


Product: FeZn-H conductor 8

Product code: 90310

Round conductor



| | |
|--|--|
| Standard: | EN IEC 62561-2:2018 : Lightning Protection System Components (LPSC) - Part 2: Requirements for conductors and earth electrodes |
| Dimensions: | Length: 40-120 m |
| | Dimension: $\phi 8$ mm |
| | Weight: 0,39 kg/m |
| Material: | Hot-dip galvanized sheet metal |
| Tensile strength: | 290 N/mm ² - 510 N/mm ² |
| Maximum electrical resistivity: | 0,15 $\mu\Omega$ m |