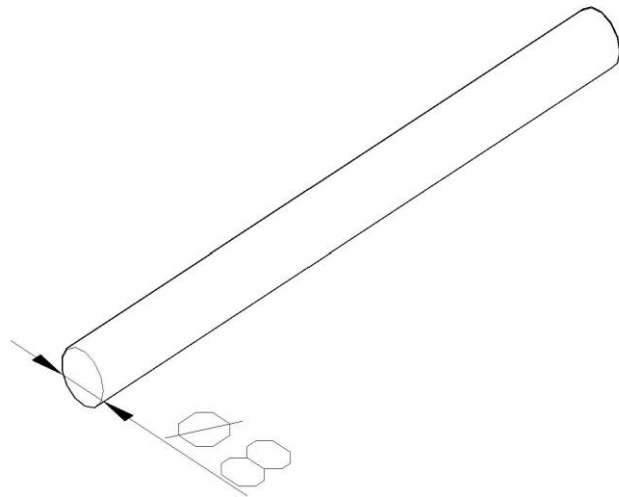


Product: RH3 conductor

Product code: 90301

Round conductor



| | |
|--|--|
| Standard: | EN IEC 62561-2:2018 : Lightning Protection System Components (LPSC) - Part 2: Requirements for conductors and earth electrodes |
| Dimensions: | Length: 40-120 m |
| | Dimension: $\phi 8$ mm |
| | Weight: 0,4 kg/m |
| Material: | Acid-resistant stainless steel |
| Tensile strength: | 400 N/mm ² - 770 N/mm ² |
| Maximum electrical resistivity: | 0,80 $\mu\Omega$ m |