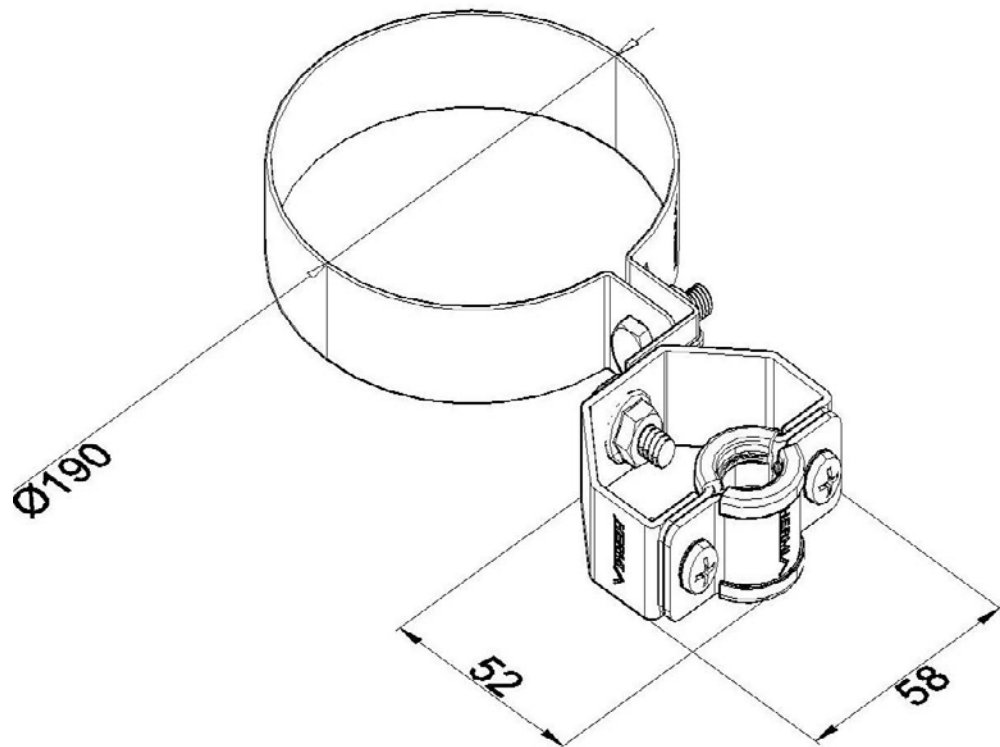


Product: ISVH 190

Product code: 90278



<b>Standard:</b>	EN IEC 62561-2:2018: Lightning Protection System Components (LPSC) - Part 2: Requirements for conductors and earth electrodes
<b>Dimensions:</b>	Length: 58 mm
	Width: 52 mm
	Height:
	Diameter: $\phi$ 190 mm
	Weight:
<b>Material:</b>	Stainless steel