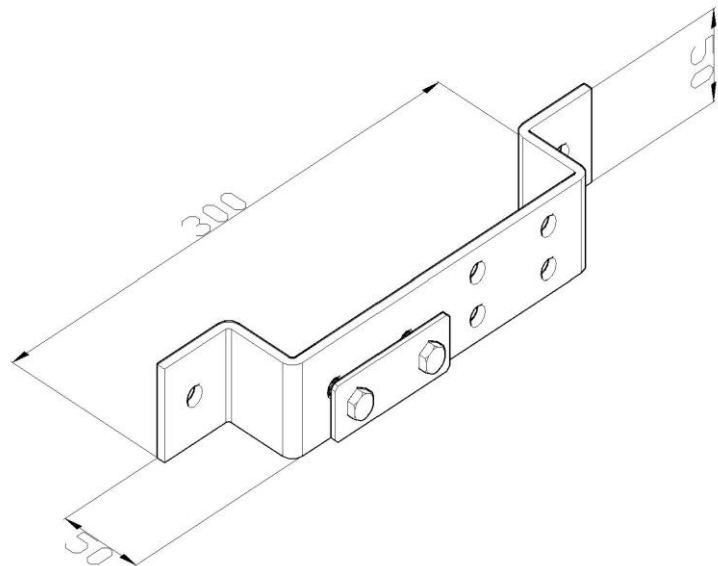


**Product:** H-ZIP Potential equalisation collector

**Product code:** 90143

Collector for potential equalisation



<b>Standard:</b>	EN IEC 62561-2:2018 : Lightning Protection System Components (LPSC) - Part 2: Requirements for conductors and earth electrodes
<b>Dimensions:</b>	Length: 300 mm
	Width: 50 mm
	Height: 50 mm
	Diameter:
	Conductor dimensions:
	Weight: 0,31 kg
<b>Material:</b>	Copper