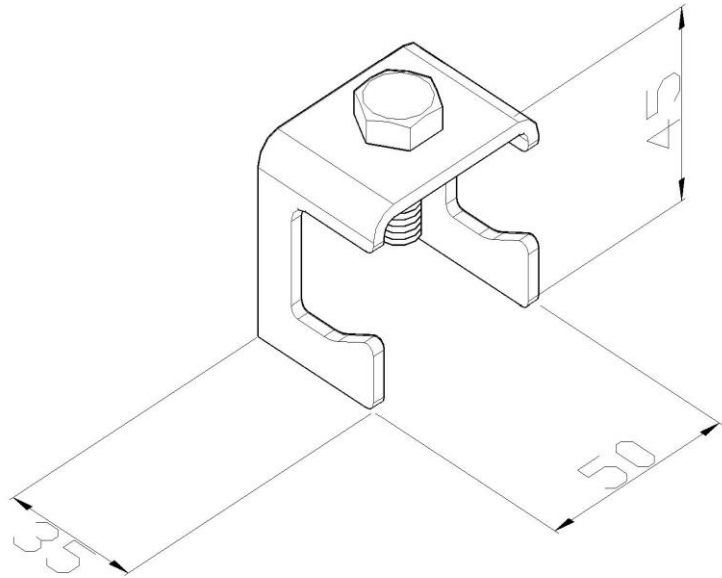


Product: KON09

Product code: 90122

Contact clamp for lightning conductor



Standard:	EN 62561-1:2017: Lightning Protection System Components (LPSC) - Part 1: Requirements for connection components
Dimensions:	Length: 50 mm
	Width: 35 mm
	Height: 45 mm
	Weight: 0,08 kg
	Conductor dimensions 1: P up to 40 mm
	Conductor dimensions 2: <=20 mm
Material:	steel
Withstand lightning current class:	N