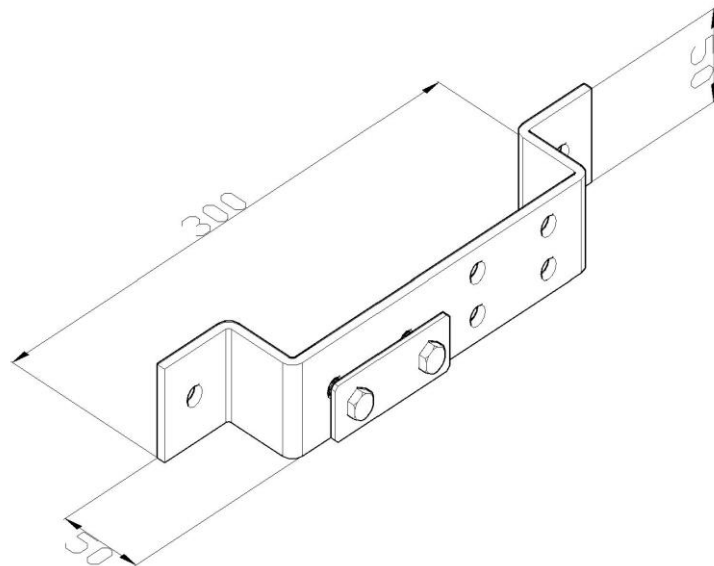


Product: H-ZIP Potential equalisation collector

Product code: 90076

Collector for potential equalisation



Standard:	EN IEC 62561-2:2018 : Lightning Protection System Components (LPSC) - Part 2: Requirements for conductors and earth electrodes
Dimensions:	Length: 300 mm
	Width: 50 mm
	Height: 50 mm
	Diameter:
	Conductor dimensions:
Weight:	
Material:	Stainless steel