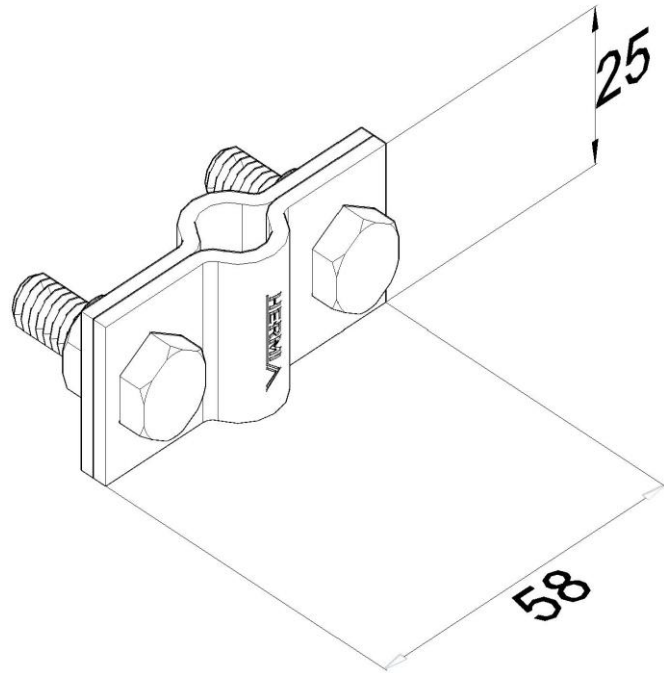


Product: KON25 A

Product code: 80545

Contact clamp for lightning conductor



Standard:	EN 62561-1:2017: Lightning Protection System Components (LPSC) - Part 1: Requirements for connection components
Dimensions:	Length: 58 mm
	Width:
	Height: 25 mm
	Weight:
	Conductor dimensions 1: $\phi 8-10$ mm
	Conductor dimensions 2: $\phi 16$ mm
Material:	hot-dip galvanized sheet metal
Withstand lightning current class:	N