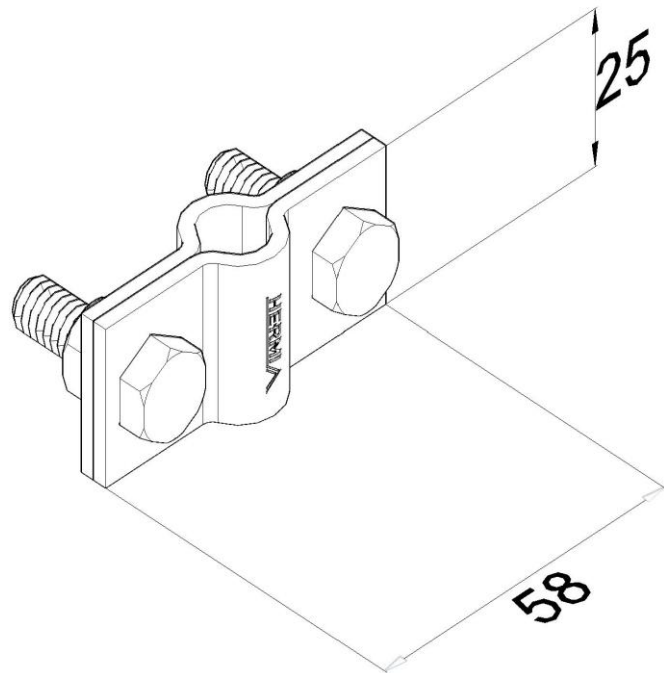


**Product:** KON25 A

**Product code:** 80544

Contact clamp for lightning conductor



<b>Standard:</b>	EN 62561-1:2017: Lightning Protection System Components (LPSC) - Part 1: Requirements for connection components
<b>Dimensions:</b>	Length: 58 mm
	Width:
	Height: 25 mm
	Weight:
	Conductor dimensions 1: $\phi 8-10$ mm
	Conductor dimensions 2: $\phi 16$ mm
<b>Material:</b>	stainless steel
<b>Withstand lightning current class:</b>	N