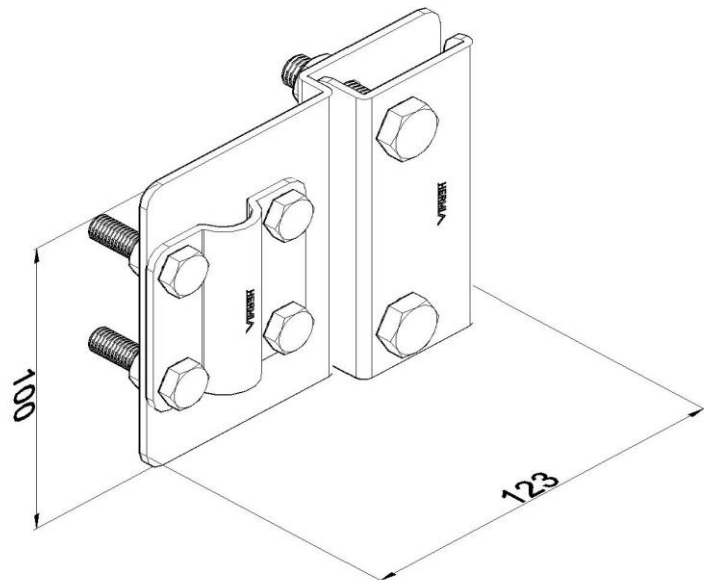


Product: KON26 B

Product code: 80543

Contact clamp for lightning conductor



Standard:	EN 62561-1:2017: Lightning Protection System Components (LPSC) - Part 1: Requirements for connection components
Dimensions:	Length:
	Width: 123 mm
	Height: 100 mm
	Weight:
	Conductor dimensions 1: $\phi 16$ mm
	Conductor dimensions 2:
Material:	stainless steel
Withstand lightning current class:	N