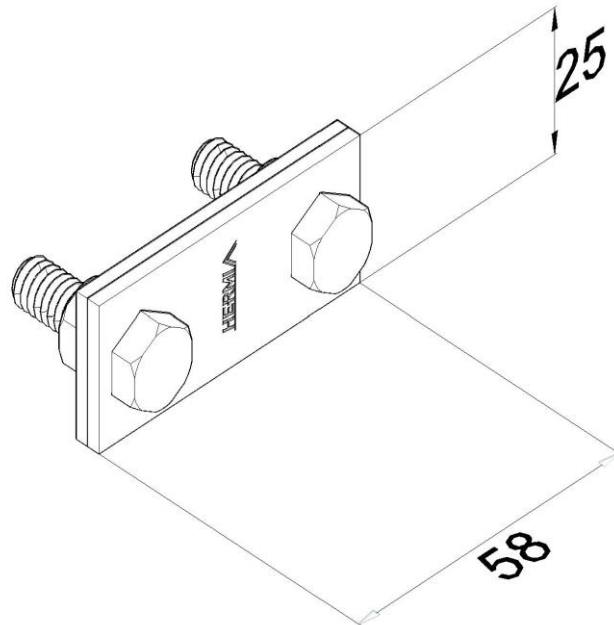


**Product:** KON25

**Product code:** 80541

Contact clamp for lightning conductor



<b>Standard:</b>	EN 62561-1:2017: Lightning Protection System Components (LPSC) - Part 1: Requirements for connection components
<b>Dimensions:</b>	Length: 58 mm
	Width:
	Height: 25 mm
	Weight:
	Conductor dimensions 1: P 30x5 mm
	Conductor dimensions 2:
<b>Material:</b>	stainless steel
<b>Withstand lightning current class:</b>	N