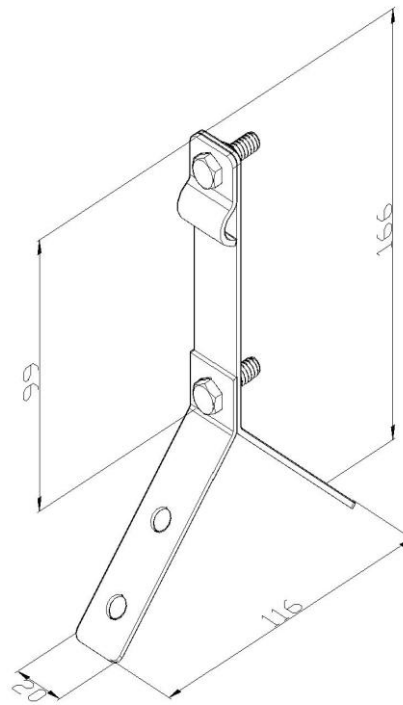


Product: SON07

Product code: 724

Roof ridge conductor fastener



Standard:	EN 62561-4:2017: Lightning protection system components (LPSC) - Part 4: Requirements for conductor fasteners
Dimensions:	Length: 166 mm
	Width: 20 mm
	Height: 99 mm
	Conductor diameter: ϕ 8-10 mm
	Weight: 0,12 kg
Material:	Stainless steel