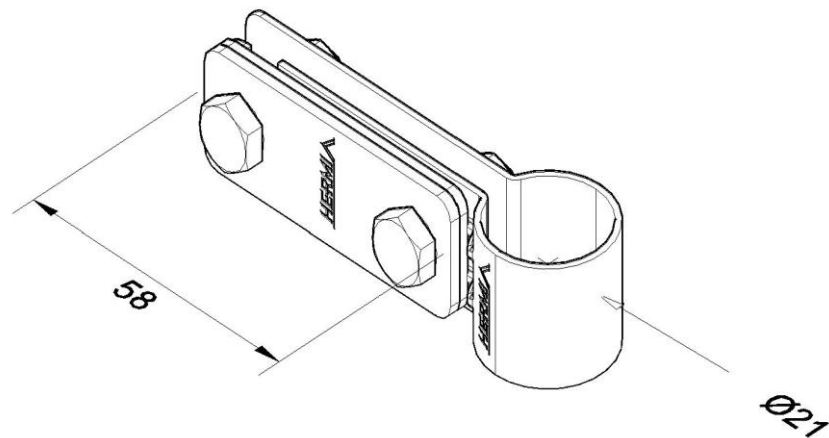


Product: KON10 A

Product code: 700529

Pipe bonding clamp



| | |
|--------------------|--|
| Standard: | EN 62561-4:2017 Lightning Protection System Components (LPSC) - Part 4: Requirements for conductor fasteners |
| Dimensions: | Clamp diameter: $\phi 21(1/2)$ mm |
| | Conductor dimensions: P up to 30 mm |
| | Weight: |
| Material: | Stainless steel |