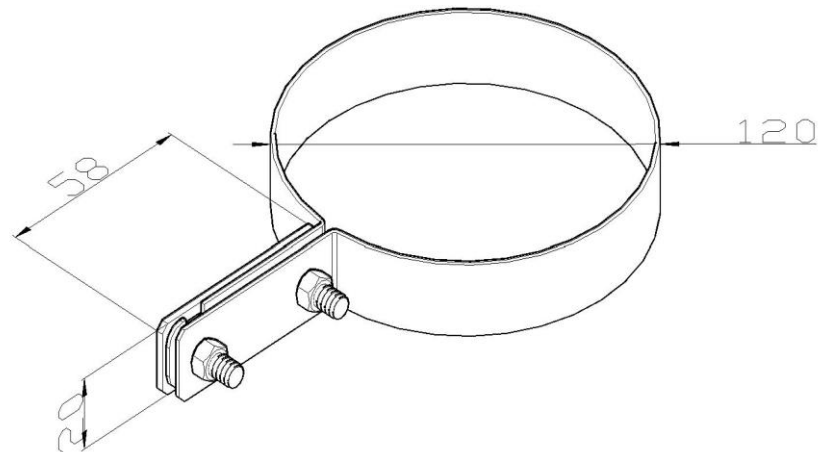


**Product:** KON10 A

**Product code:** 700358

Pipe bonding clamp



|                    |  |
|--------------------|--|
| <b>Standard:</b>   | EN 62561-4:2017 Lightning Protection System Components (LPSC) - Part 4: Requirements for conductor fasteners |
| <b>Dimensions:</b> | Clamp diameter: $\phi 120$ mm  |
|                    | Conductor dimensions: P30x4 mm   |
|                    | Weight: 0,1 kg   |
| <b>Material:</b>   | Stainless steel  |