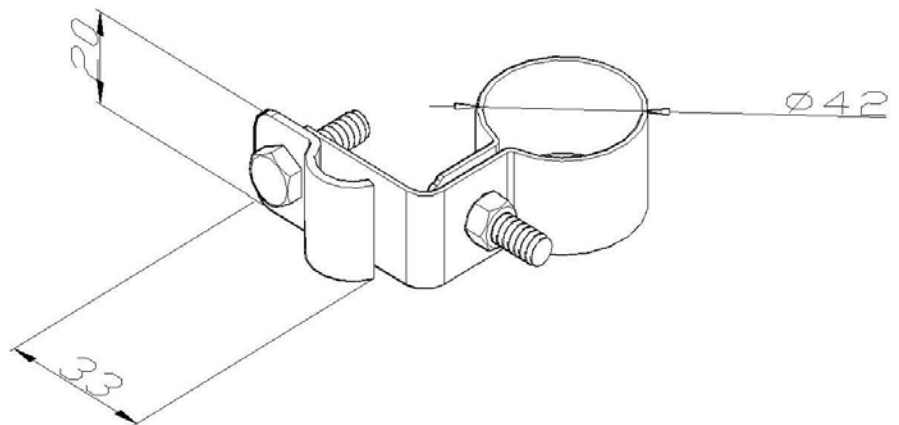


**Product:** KON11 A

**Product code:** 700293

Pipe bonding clamp



<b>Standard:</b>	EN 62561-4:2017 Lightning Protection System Components (LPSC) - Part 4: Requirements for conductor fasteners
<b>Dimensions:</b>	Clamp diameter: $\phi 42(5/4")$ mm
	Conductor dimensions: 16-35 mm <sup>2</sup>
	Weight: 0,06 kg
<b>Material:</b>	Stainless steel