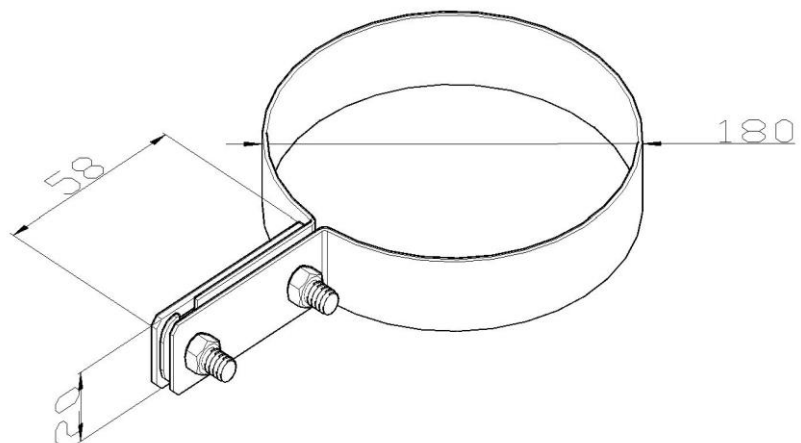


**Product:** KON10 A

**Product code:** 700170

Pipe bonding clamp



|                    |  |
|--------------------|--|
| <b>Standard:</b>   | EN 62561-4:2017 Lightning Protection System Components (LPSC) - Part 4: Requirements for conductor fasteners |
| <b>Dimensions:</b> | Clamp diameter: $\phi 180$ mm  |
|                    | Conductor dimensions: P30x4 mm   |
|                    | Weight:  |
| <b>Material:</b>   | Copper   |