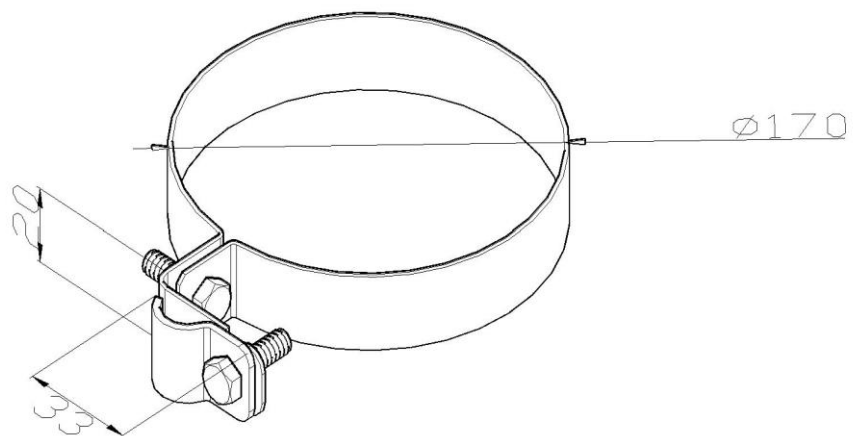


Product: KON11 A

Product code: 700118

Pipe bonding clamp



| | |
|--------------------|--|
| Standard: | EN 62561-4:2017 Lightning Protection System Components (LPSC) - Part 4: Requirements for conductor fasteners |
| Dimensions: | Clamp diameter: $\phi 170$ mm |
| | Conductor dimensions: $\phi 8-10$ mm |
| Material: | Weight: |
| | Copper |