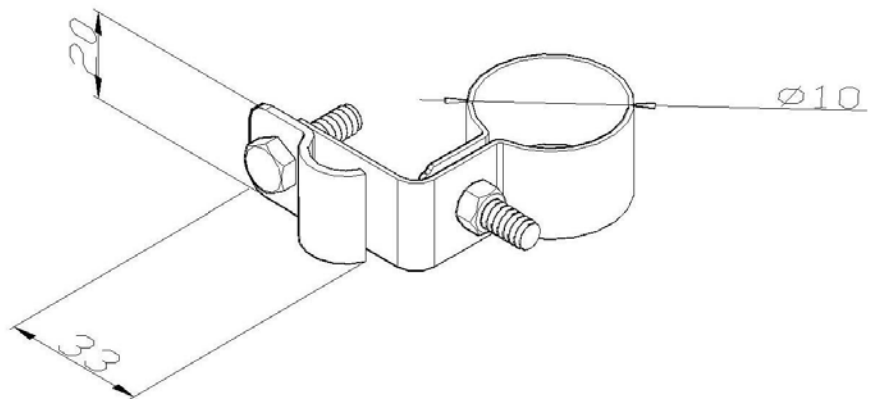


Product: KON11 A

Product code: 700087

Pipe bonding clamp



Standard:	EN 62561-4:2017 Lightning Protection System Components (LPSC) - Part 4: Requirements for conductor fasteners
Dimensions:	Clamp diameter: $\phi 10(1/8")$ mm
	Conductor dimensions: 16-35 mm ²
Material:	Weight:
	Copper