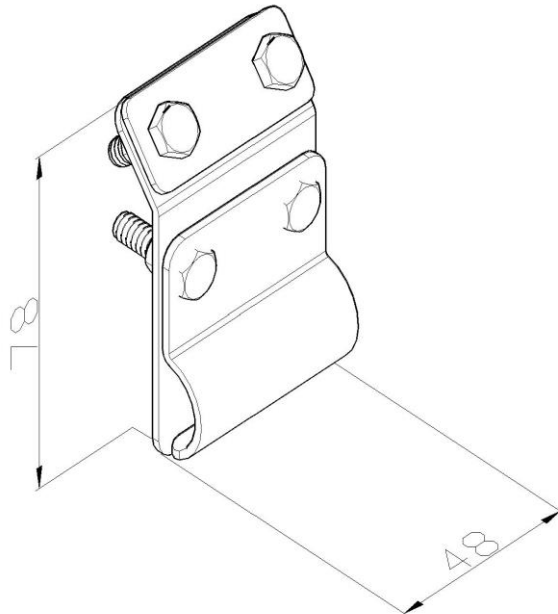


Product: KON06

Product code: 60228

Contact clamp for lightning conductor



Standard:	EN 62561-1:2017: Lightning Protection System Components (LPSC) - Part 1: Requirements for connection components
Dimensions:	Length: 48 mm
	Width:
	Height: 78 mm
	Weight:
	Conductor dimensions 1: P up to 25 mm
	Conductor dimensions 2:
Material:	acid-resistant stainless steel
Withstand lightning current class:	N