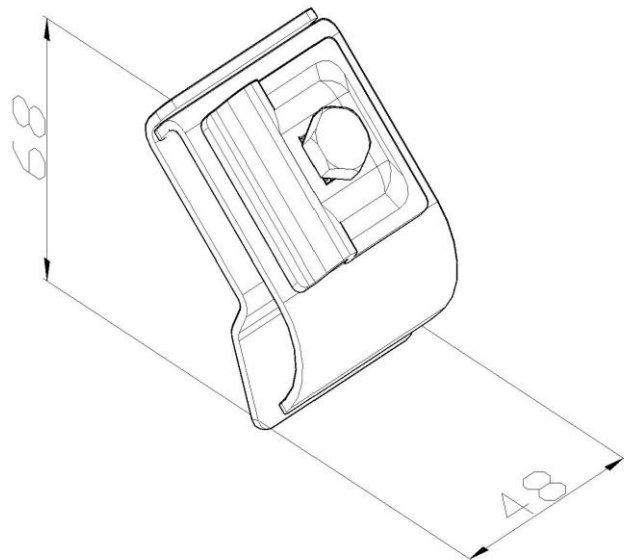


**Product:** KON06 DB

**Product code:** 60115

Contact clamp for lightning conductor



<b>Standard:</b>	EN 62561-1:2017: Lightning Protection System Components (LPSC) - Part 1: Requirements for connection components
<b>Dimensions:</b>	Length: 48 mm
	Width:
	Height: 68 mm
	Weight:
	Conductor dimensions 1: $\phi 8-10$ mm
	Conductor dimensions 2:
<b>Material:</b>	copper
<b>Withstand lightning current class:</b>	N