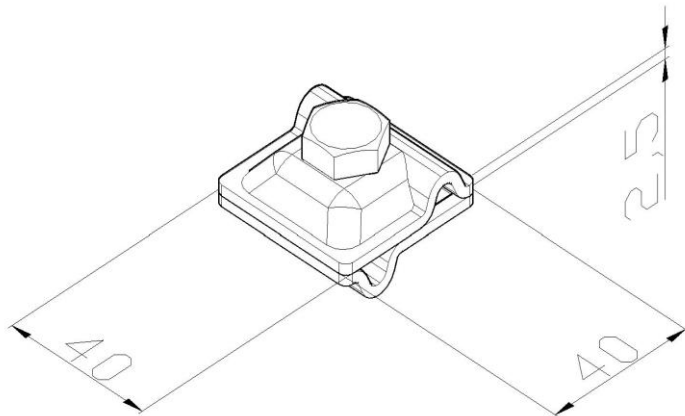


**Product:** KON04 A SIMPLE

**Product code:** 50507

Contact clamp for lightning conductor



<b>Standard:</b>	EN 62561-1:2017: Lightning Protection System Components (LPSC) - Part 1: Requirements for connection components
<b>Dimensions:</b>	Length: 40 mm
	Width: 40 mm
	Height:
	Weight: 0,09 kg
	Conductor dimensions 1: $\phi 8$ mm
	Conductor dimensions 2: $\phi 8$ mm
<b>Material:</b>	copper
<b>Withstand lightning current class:</b>	H