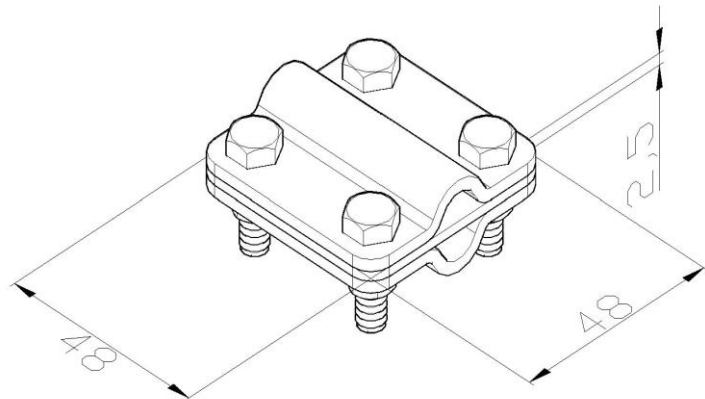


Product: KON08

Product code: 50312

Contact clamp for lightning conductor



| | |
|---|---|
| Standard: | EN 62561-1:2017: Lightning Protection System Components (LPSC) - Part 1: Requirements for connection components |
| Dimensions: | Length: 48 mm |
| | Width: 48 mm |
| | Height: |
| | Weight: 0,16 kg |
| | Conductor dimensions 1: 16-35 mm ² |
| | Conductor dimensions 2: 16-35 mm ² |
| Material: | stainless steel |
| Withstand lightning current class: | H |