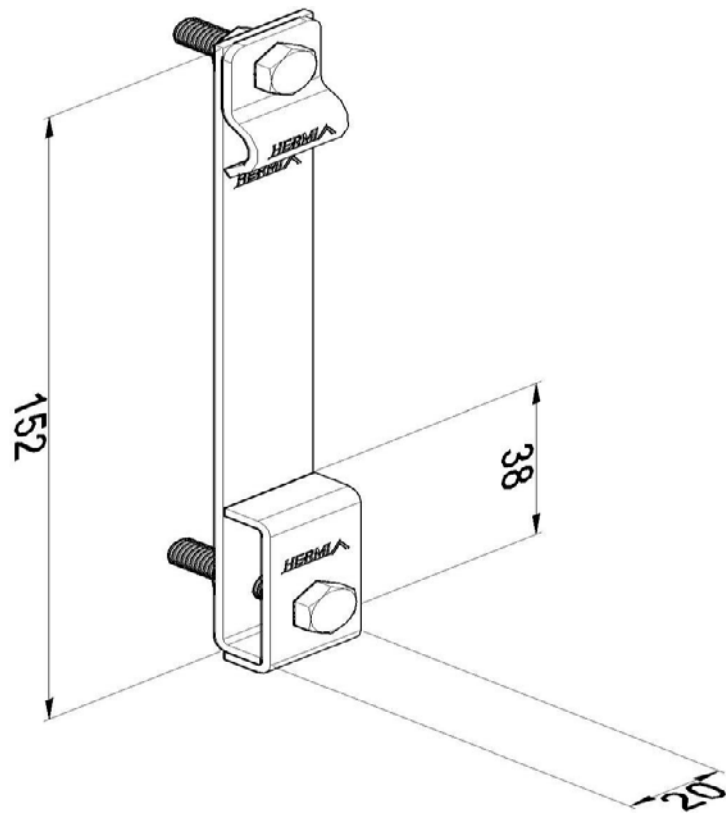


Product: SON04 C

Product code: 431

Roof conductor fastener



Standard:	EN 62561-4:2017: Lightning protection system components (LPSC) - Part 4: Requirements for conductor fastener
Dimensions:	Length: 20 mm
	Width:
	Height: 152 mm
	Conductor diameter: ϕ 8-10 mm
	Weight: 0,08 kg
Material:	Stainless steel