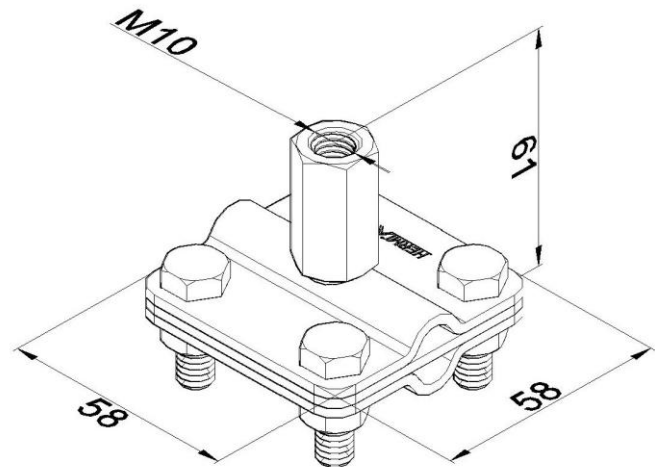


Product: KON31 M M10

Product code: 40645

Clamp intended for potential equalisation



Standard:	EN IEC 62561-2:2018 : Lightning Protection System Components (LPSC) - Part 2: Requirements for conductors and earth electrodes
Dimensions:	Length: 58 mm
	Width: 58 mm
	Height: 61 mm
	Diameter: M10
	Conductor dimensions:
	Weight: 0,30 kg
Material:	Stainless steel