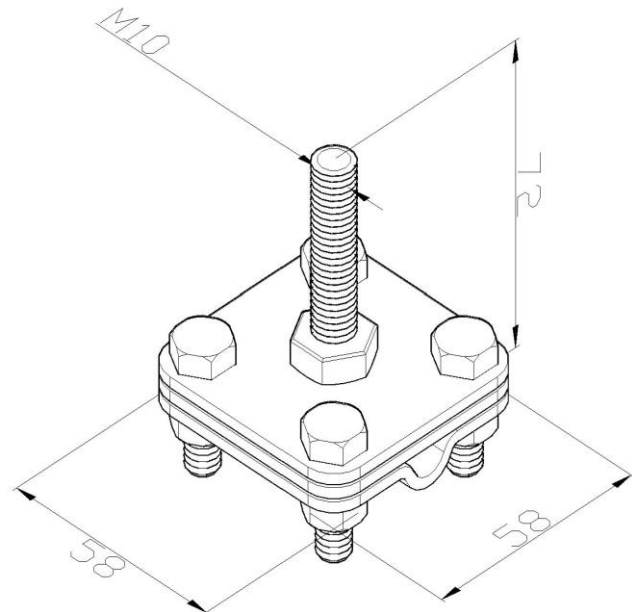


Product: KON31 M10

Product code: 40643

Clamp intended for potential equalisation



| | |
|--------------------|--|
| Standard: | EN IEC 62561-2:2018 : Lightning Protection System Components (LPSC) - Part 2: Requirements for conductors and earth electrodes |
| Dimensions: | Length: 58 mm |
| | Width: 58 mm |
| | Height: 72 mm |
| | Diameter: M10 |
| | Conductor dimensions: |
| | Weight: |
| Material: | Acid-resistant stainless steel |