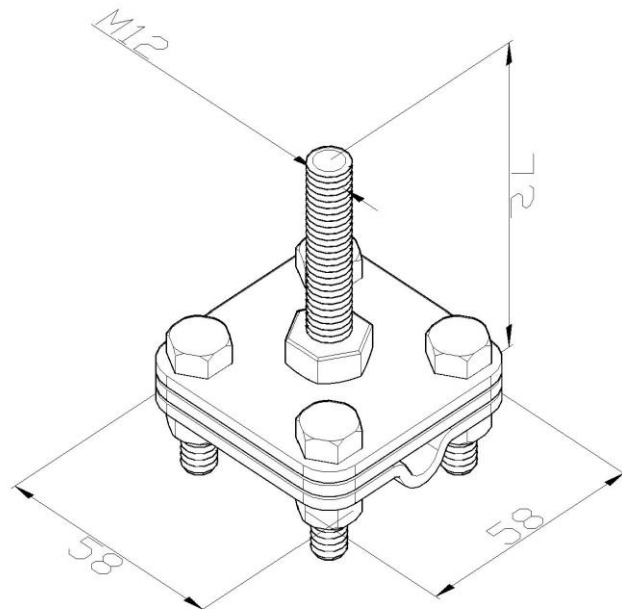


**Product:** KON31 M12

**Product code:** 40616

Clamp intended for potential equalisation



<b>Standard:</b>	EN IEC 62561-2:2018 : Lightning Protection System Components (LPSC) - Part 2: Requirements for conductors and earth electrodes
<b>Dimensions:</b>	Length: 58 mm
	Width: 58 mm
	Height: 72 mm
	Diameter: M12
	Conductor dimensions:
	Weight:
<b>Material:</b>	Stainless steel