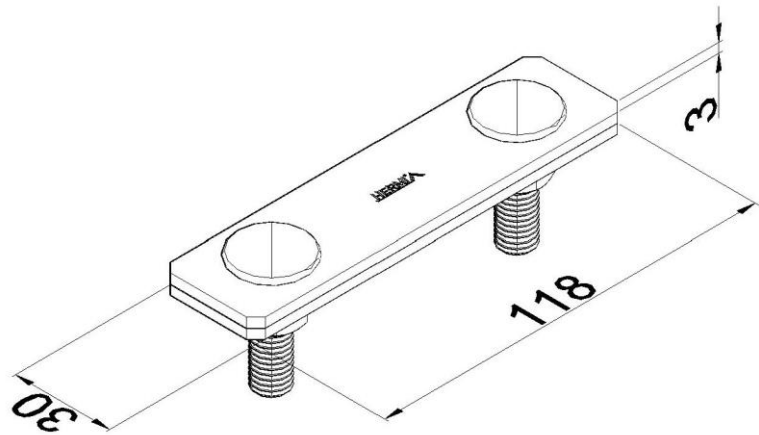


Product: KON71 P

Product code: 400704

Contact clamp for lightning conductor



| | |
|---|---|
| Standard: | EN 62561-1:2017: Lightning Protection System Components (LPSC) - Part 1: Requirements for connection components |
| Dimensions: | Length: 118 mm |
| | Width: 30 mm |
| | Height: |
| | Weight: |
| | Conductor dimensions 1: P 25-40 mm |
| | Conductor dimensions 2: P 25-40 mm |
| Material: | hot-dip galvanized sheet metal |
| Withstand lightning current class: | H |