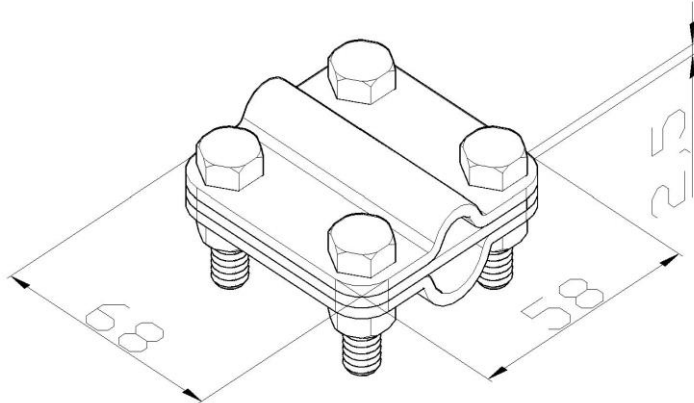


Product: KON07 A

Product code: 400510

Contact clamp for lightning conductor



| | |
|---|---|
| Standard: | EN 62561-1:2017: Lightning Protection System Components (LPSC) - Part 1: Requirements for connection components |
| Dimensions: | Length: 58 mm |
| | Width: 68 mm |
| | Height: |
| | Weight: |
| | Conductor dimensions 1: $\phi 8-10$ mm |
| | Conductor dimensions 2: $\phi 30$ mm |
| Material: | acid-resistant stainless steel |
| Withstand lightning current class: | H |