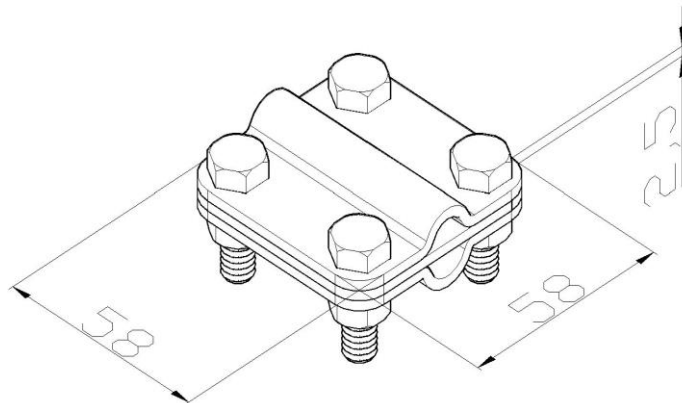


Product: KON07

Product code: 400182

Contact clamp for lightning conductor



| | |
|---|---|
| Standard: | EN 62561-1:2017: Lightning Protection System Components (LPSC) - Part 1: Requirements for connection components |
| Dimensions: | Length: 58 mm |
| | Width: 58 mm |
| | Height: |
| | Weight: |
| | Conductor dimensions 1: 185 mm ² |
| | Conductor dimensions 2: 50 mm ² |
| Material: | copper/stainless steel/stainless steel |
| Withstand lightning current class: | H |