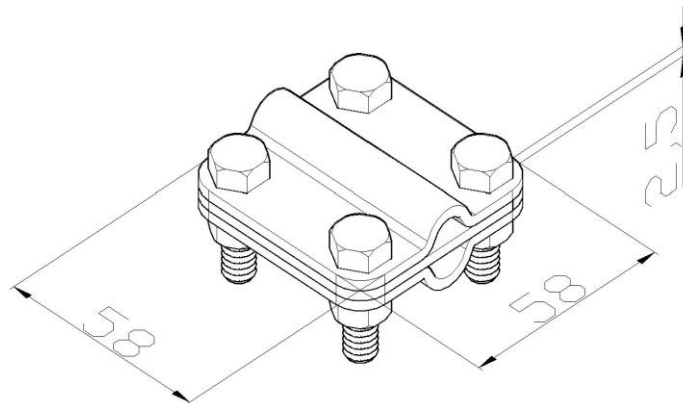


Product: KON07

Product code: 400136

Contact clamp for lightning conductor



| | |
|-------------------------------------------|-----------------------------------------------------------------------------------------------------------------|
| Standard: | EN 62561-1:2017: Lightning Protection System Components (LPSC) - Part 1: Requirements for connection components |
| Dimensions: | Length: 58 mm |
| | Width: 58 mm |
| | Height: |
| | Weight: 0,29 kg |
| | Conductor dimensions 1: 95 mm ² |
| | Conductor dimensions 2: 70 mm ² |
| Material: | copper |
| Withstand lightning current class: | H |