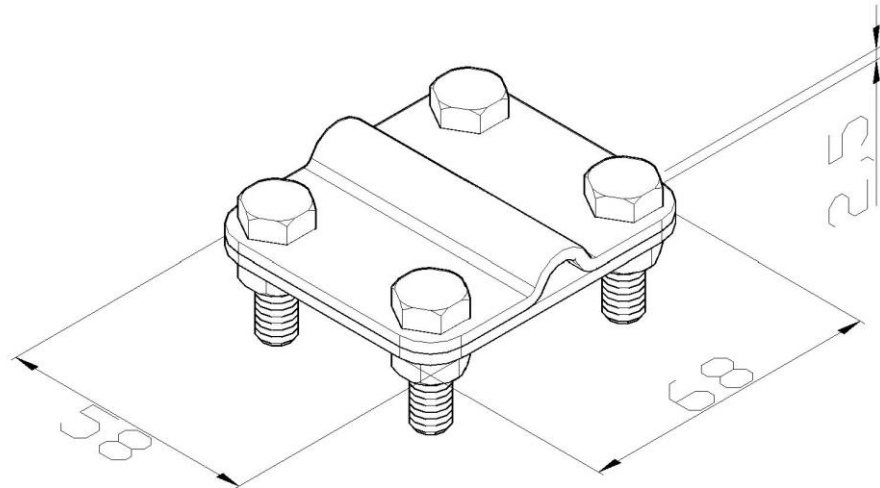


Product: KON02 A

Product code: 400101

Contact clamp for lightning conductor



Standard:	EN 62561-1:2017: Lightning Protection System Components (LPSC) - Part 1: Requirements for connection components
Dimensions:	Length: 58 mm
	Width: 68 mm
	Conductor dimensions 1: $\phi 8-10$ mm
	Conductor dimensions 2: P up to 42 mm
Material:	stainless steel
Withstand lightning current class:	H