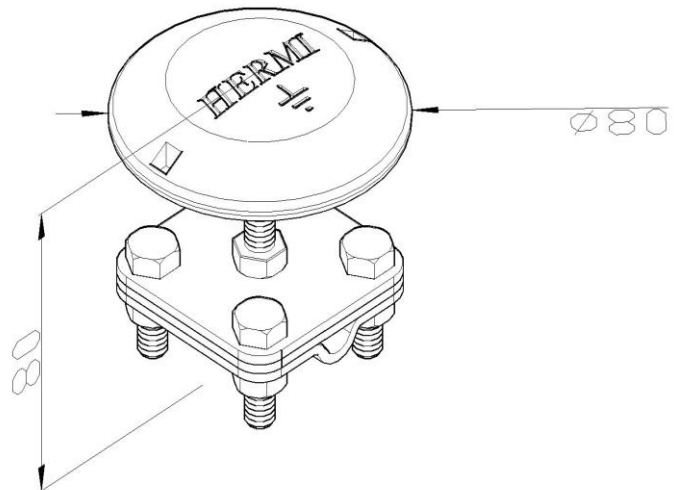


Product: SON Air termination stud

Product code: 40001



Standard:	EN IEC 62561-2:2018 : Lightning Protection System Components (LPSC) - Part 2: Requirements for conductors and earth electrodes
Dimensions:	Length: 80 mm
	Width: 80 mm
	Height: 80 mm
	Diameter:
	Conductor dimensions: ϕ 8-10 mm
	Weight: 0,45 kg
Material:	Aluminium - stainless steel