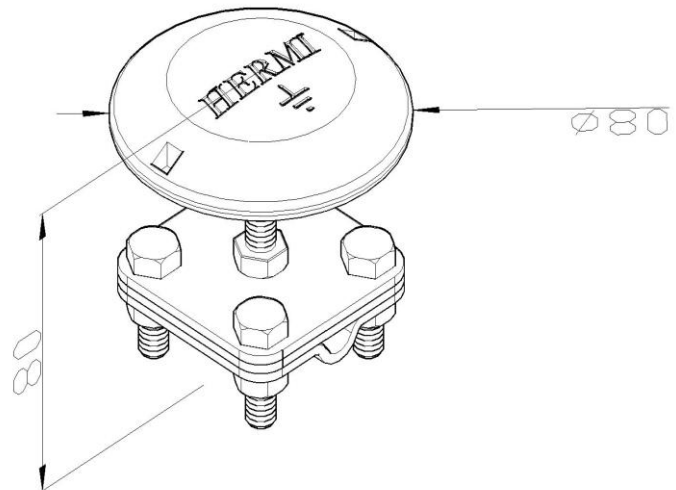


Product: SON Air termination stud

Product code: 40000



<b>Standard:</b>	EN IEC 62561-2:2018 : Lightning Protection System Components (LPSC) - Part 2: Requirements for conductors and earth electrodes
<b>Dimensions:</b>	Length: 80 mm
	Width: 80 mm
	Height: 80 mm
	Diameter:
	Conductor dimensions: conductor up to 30 mm
	Weight: 0,45 kg
<b>Material:</b>	Aluminium - stainless steel