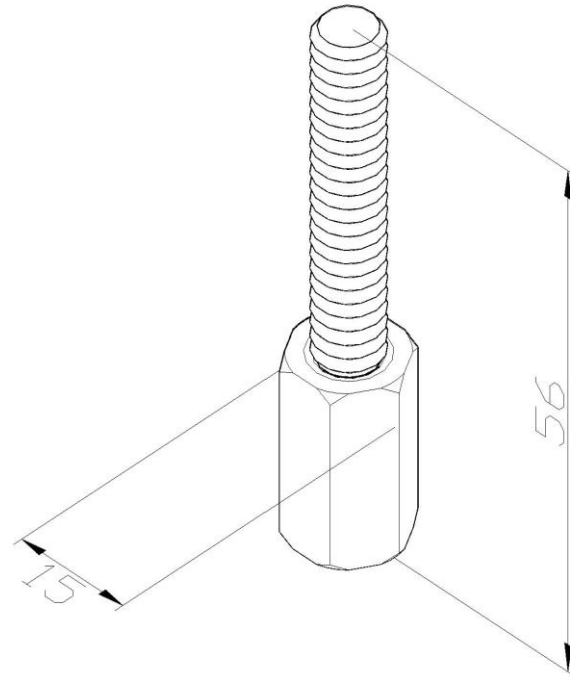


Product: SON Extension for air termination stud

Product code: 39999



<b>Standard:</b>	EN IEC 62561-2:2018 : Lightning Protection System Components (LPSC) - Part 2: Requirements for conductors and earth electrodes
<b>Dimensions:</b>	Length:
	Width: 15 mm
	Height: 56 mm
	Diameter:
	Conductor dimensions:
<b>Material:</b>	Weight:
	Stainless steel