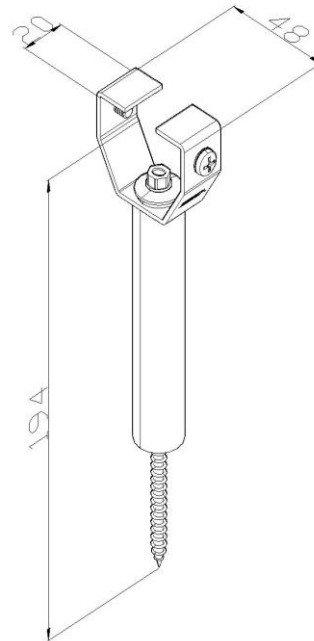


Product: VZ HOLDER 04

Product code: 319

Holder for vertical protection



Standard:	EN 62561-4:2017: Lightning protection system components (LPSC) - Part 4: Requirements for conductor fasteners
Dimensions:	Length: 48 mm
	Width: 20 mm
	Height: 194 mm
	Screw length:
	Wall plug diameter:
Weight:	
Material:	Acid-resistant stainless steel