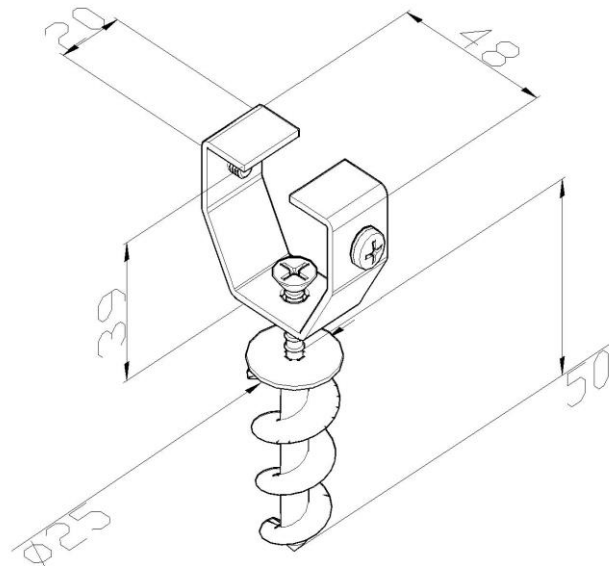


Product: VZ HOLDER 09

Product code: 306

Holder for vertical protection



Standard:	EN 62561-4:2017: Lightning protection system components (LPSC) - Part 4: Requirements for conductor fasteners
Dimensions:	Length: 48 mm
	Width: 20 mm
	Height: 39 mm
	Screw length: 50 mm
	Wall plug diameter: $\phi 25$ mm
	Weight: 0,05 kg
Material:	Acid-resistant stainless steel