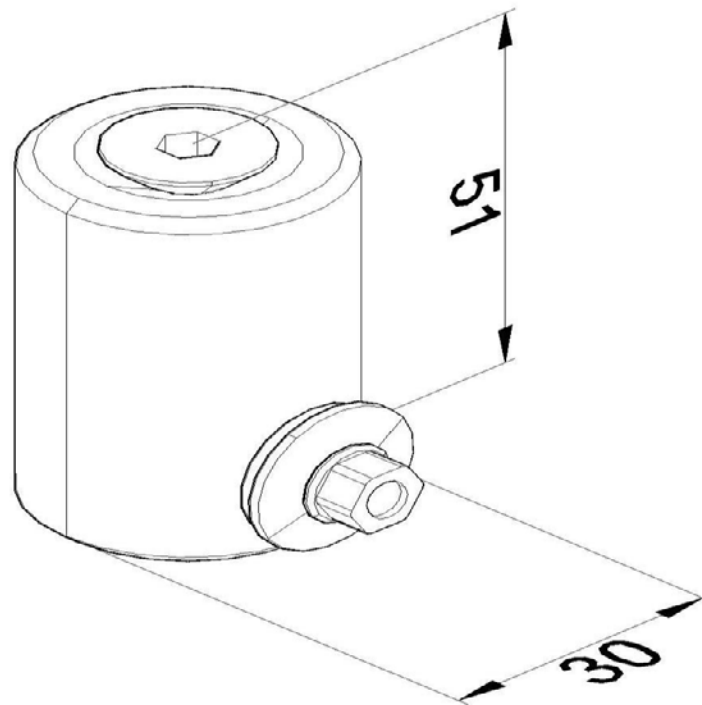


Product: LOP-P34 C

Product code: 301559

Component for isolated distance



Standard:	EN IEC 62561-2:2018: Lightning Protection System Components (LPSC) - Part 2: Requirements for conductors and earth electrodes
Dimensions:	Width: 30 mm
	Height: 51 mm
	Weight: 0,07 kg
Material:	Aluminium - stainless steel