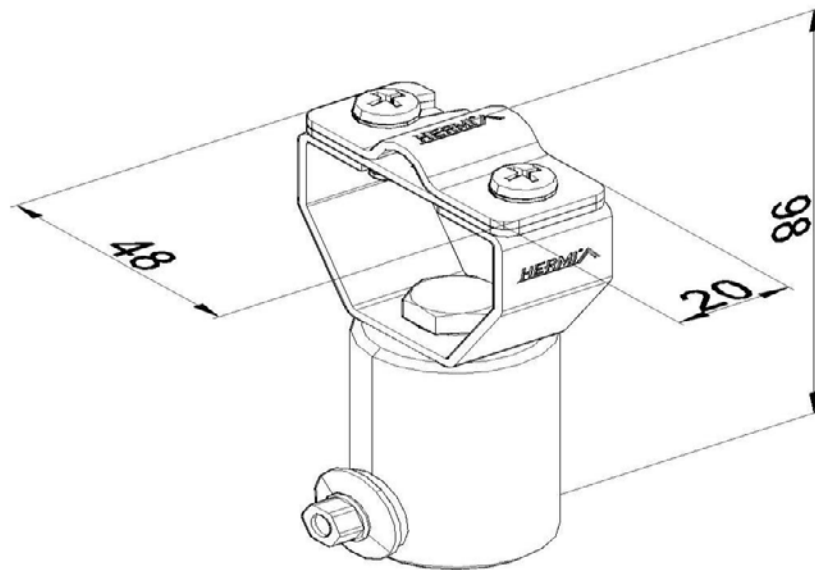


Product: LOP-P34 B

Product code: 301558

Bracket/attachment element



Standard:	EN IEC 62561-2:2018: Lightning Protection System Components (LPSC) - Part 2: Requirements for conductors and earth electrodes
Dimensions:	Length: 48 mm
	Width: 20 mm
	Height: 98 mm
	Diameter: $\phi 8-10$ mm
	Weight: 0,14 kg
Material:	Aluminium - stainless steel