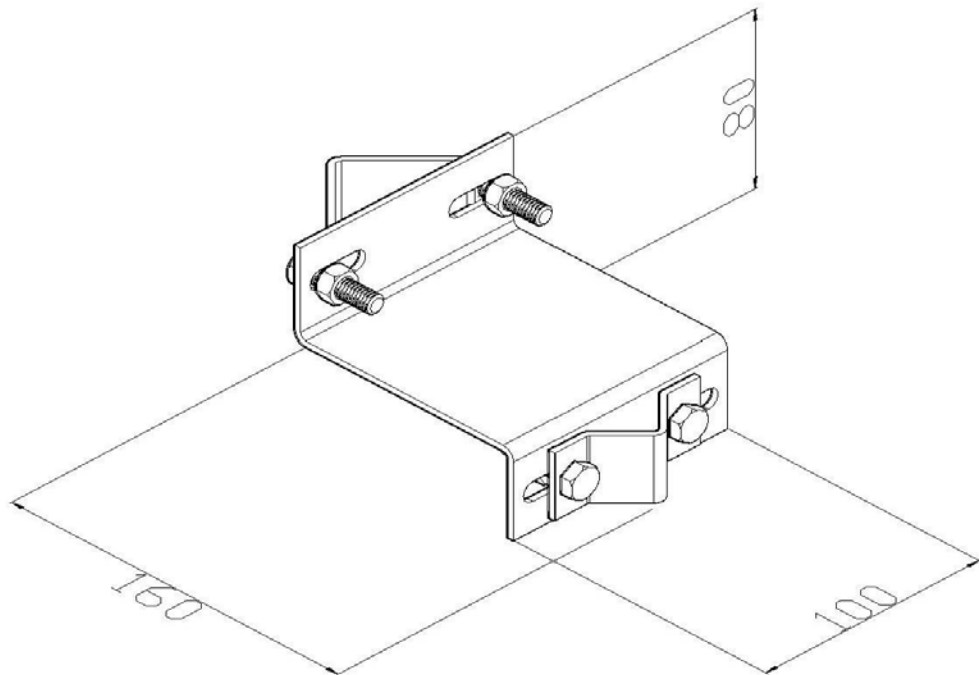


Product: LOP-P32

Product code: 301527

Attachment element for the placement of interception rods



Standard:	EN IEC 62561-2:2018: Lightning Protection System Components (LPSC) - Part 2: Requirements for conductors and earth electrodes
Dimensions:	Length: 100 mm
	Width: 160 mm
	Height: 80 mm
	Diameter:
Material:	Weight: 0,37 kg
	Stainless steel