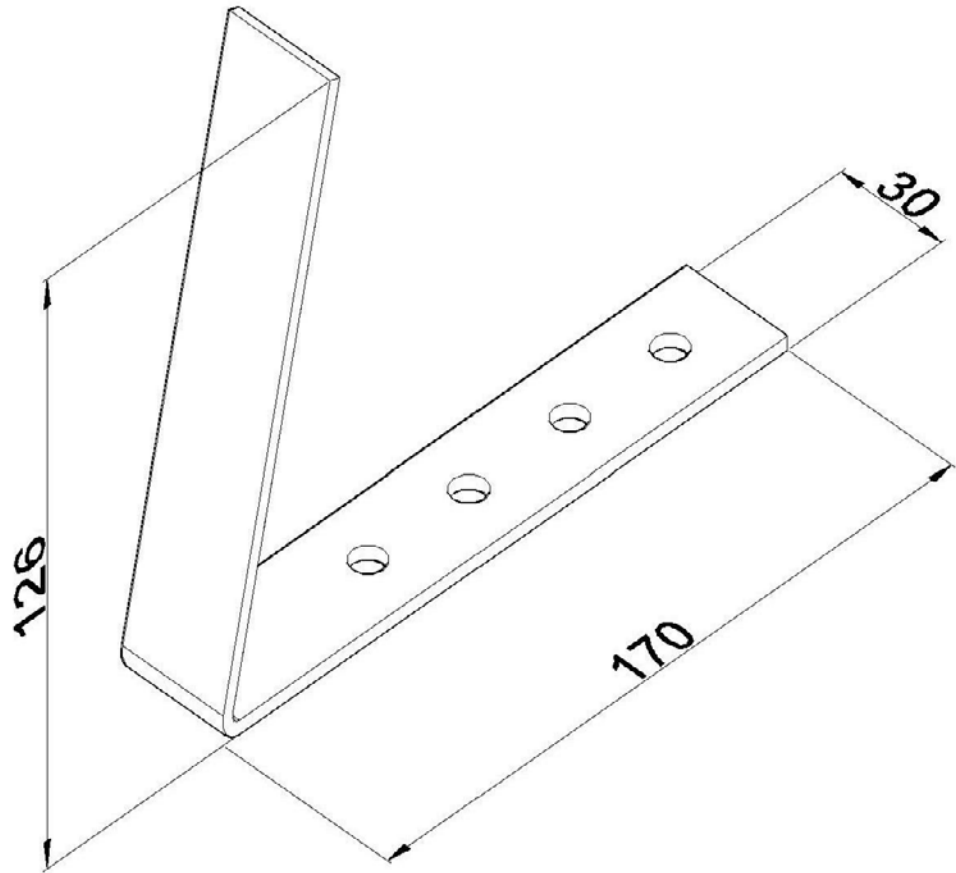


Product: LOP-P16

Product code: 301516

Attachment kit for placing lightning rod



Standard:	EN IEC 62561-2:2018: Lightning Protection System Components (LPSC) - Part 2: Requirements for conductors and earth electrodes
Dimensions:	Length: 170 mm
	Width: 30 mm
	Height: 126 mm
	Diameter:
	Weight: 0,24 kg
Material:	Stainless steel