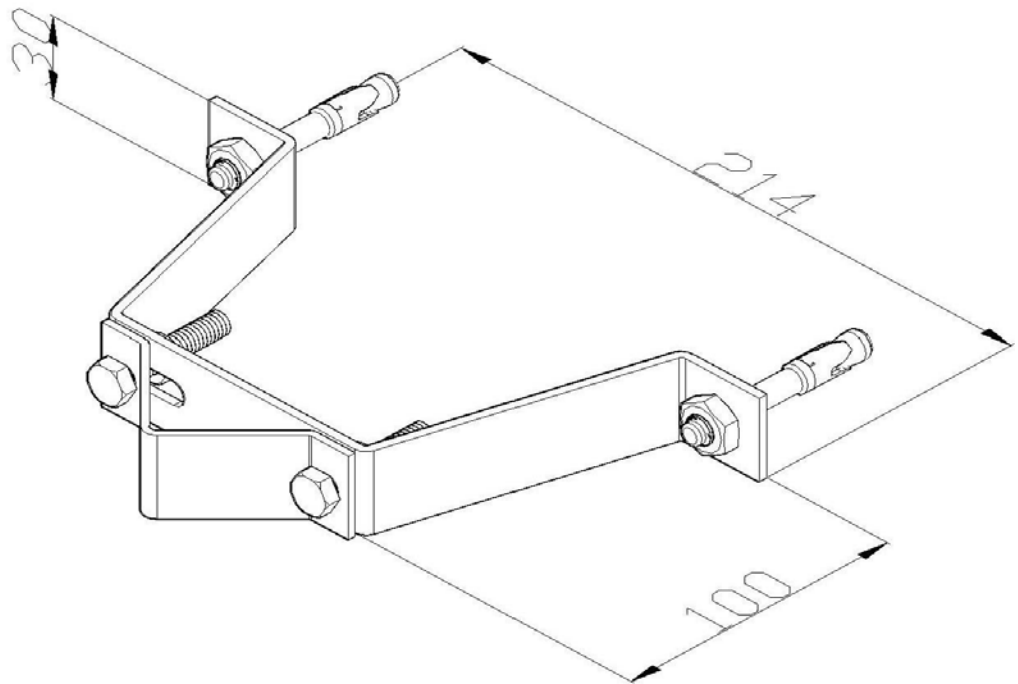


Product: LOP-P13A

Product code: 301515

An attachment kit for fixing lightning rods



Standard:	EN IEC 62561-2:2018: Lightning Protection System Components (LPSC) - Part 2: Requirements for conductors and earth electrodes
Dimensions:	Length: 214 mm
	Width: 100 mm
	Height: 30 mm
	Diameter:
Material:	Weight: 0,39 kg
	Stainless steel