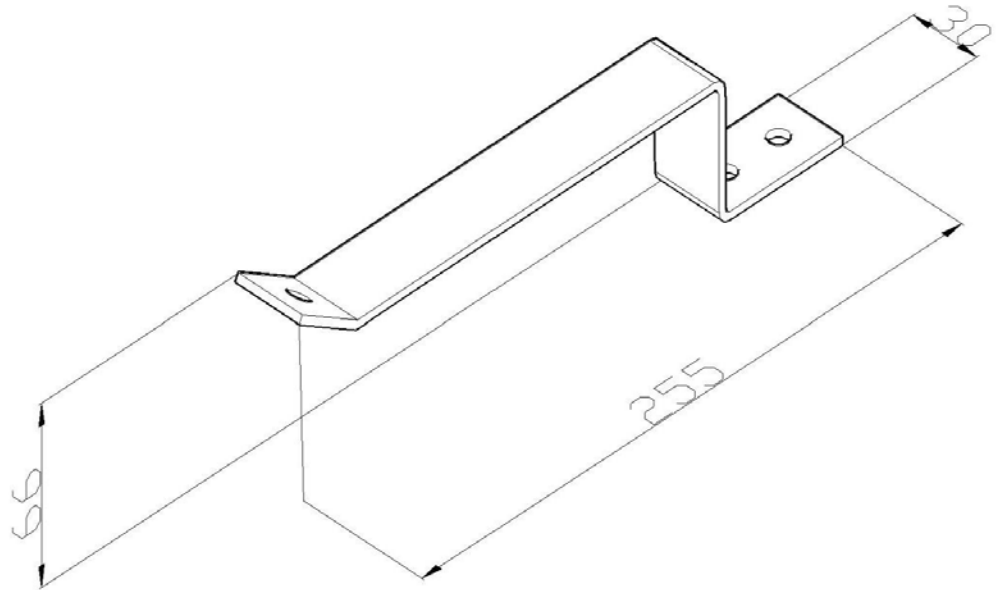


**Product:** LOP-P14

**Product code:** 301514

Attachment kit for placing lightning rods



<b>Standard:</b>	EN IEC 62561-2:2018: Lightning Protection System Components (LPSC) - Part 2: Requirements for conductors and earth electrodes
<b>Dimensions:</b>	Length: 255 mm
	Width: 30 mm
	Height: 66 mm
	Diameter:
	Weight: 0,21 kg
<b>Material:</b>	Stainless steel