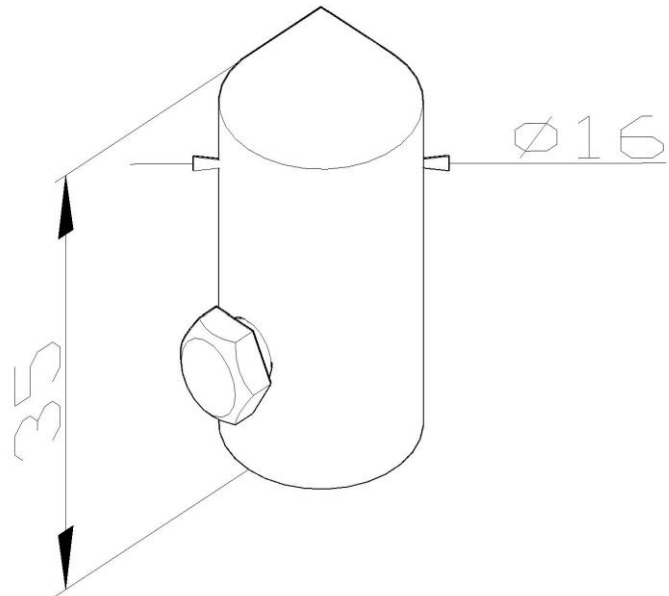


Product: LOV Lightning protection nib

Product code: 300398



Standard:	EN IEC 62561-2:2018 : Lightning Protection System Components (LPSC) - Part 2: Requirements for conductors and earth electrodes
Dimensions:	Length: 16 mm
	Width: 16 mm
	Height: 35 mm
	Diameter:
	Conductor dimensions: 8 mm
Weight:	
Material:	Copper